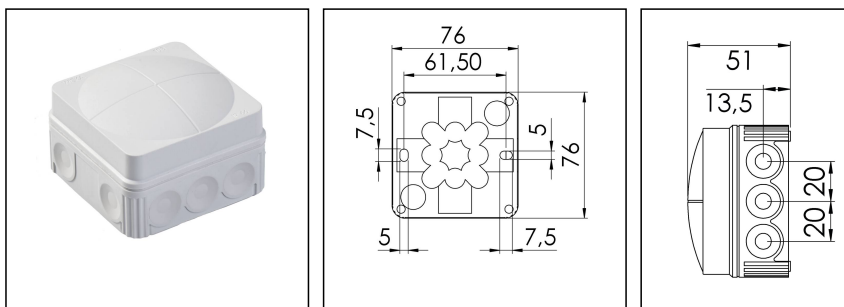


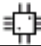
## COMBI 108/5 LG

Junction box, polypropylene



Products may differ in size, colour and appearance to those shown. If you require further information or customisation, please contact us directly.



|                                     |   |
|-------------------------------------|---|
| <b>Material</b>                     | Polypropylene   |
| <b>Material sealing gasket</b>      | TPE   |
| <b>Temp. range min</b>              | -30 °C  |
| <b>Temp. range max</b>              | 100 °C  |
| <b>Temperatures during install.</b> | -5 °C - 60 °C   |
| <b>Protection class</b>             | IP66  |
| <b>Glow wire test</b>               | 750 °C  |
| <b>Voltage</b>                      | 400 V   |
| <b>Rated current / A (Terminal)</b> | 24 A  |
| <b>Rated cross section</b>          | 2,5 mm <sup>2</sup>   |
| <b>Terminals/poles</b>              | 5-pole, 2,5mm <sup>2</sup>  |
| <b>Fixing</b>                       | 2 internal openings   |
| <b>Ø cable diameter min</b>         | 3 mm  |
| <b>Ø cable diameter max</b>         | 14 mm   |
| <b>External dimensions LxWxH</b>    | 76 x 76 x 51mm  |
| <b>Using for cable gland</b>        |  |
| <b>Product Color</b>                | RAL 7035  |
| <b>WISKA-Order no.</b>              | 10060523  |
| <b>Type</b>                         | COMBI 108/5 LG  |
| <b>Packing unit</b>                 | 10  |
| <b>ETIM-Classification</b>          | EC002600  |

Remarks:

Equipment:

- 10 elastic self-sealing puncture-membranes for cable entry on the side and 2 in the bottom

Your Contact:

**WISKA UK Ltd.**

Unit 7, Hurling Way · St. Columb Major Business Park · TR9 6SX, St. Columb Major, Cornwall · Great Britain

☎ +44-12-08816062 · 📠 +44-12-08816708

info@wiska.co.uk · www.wiska.co.uk

- inclusive terminal block 5-poles, 2,5mm<sup>2</sup>

**Fixing:**

By two internal openings outside of the sealing area

**Recommended accessories**

|  |          |
|--|----------|
| <b>MP-S Mounting plate small</b>             | 10105774 |
| <b>MP-L Mounting plate large COMBI / WHK</b> | 10105775 |
| <b>ZER 4-12</b>                              | 10109800 |
| <b>ZER 11-18</b>                             | 10110766 |

**Spare parts**

|                                   |          |
|-----------------------------------|----------|
| <b>SP-HKT 11/5 Terminal block</b> | 22001132 |
|-----------------------------------|----------|

09.08.2021

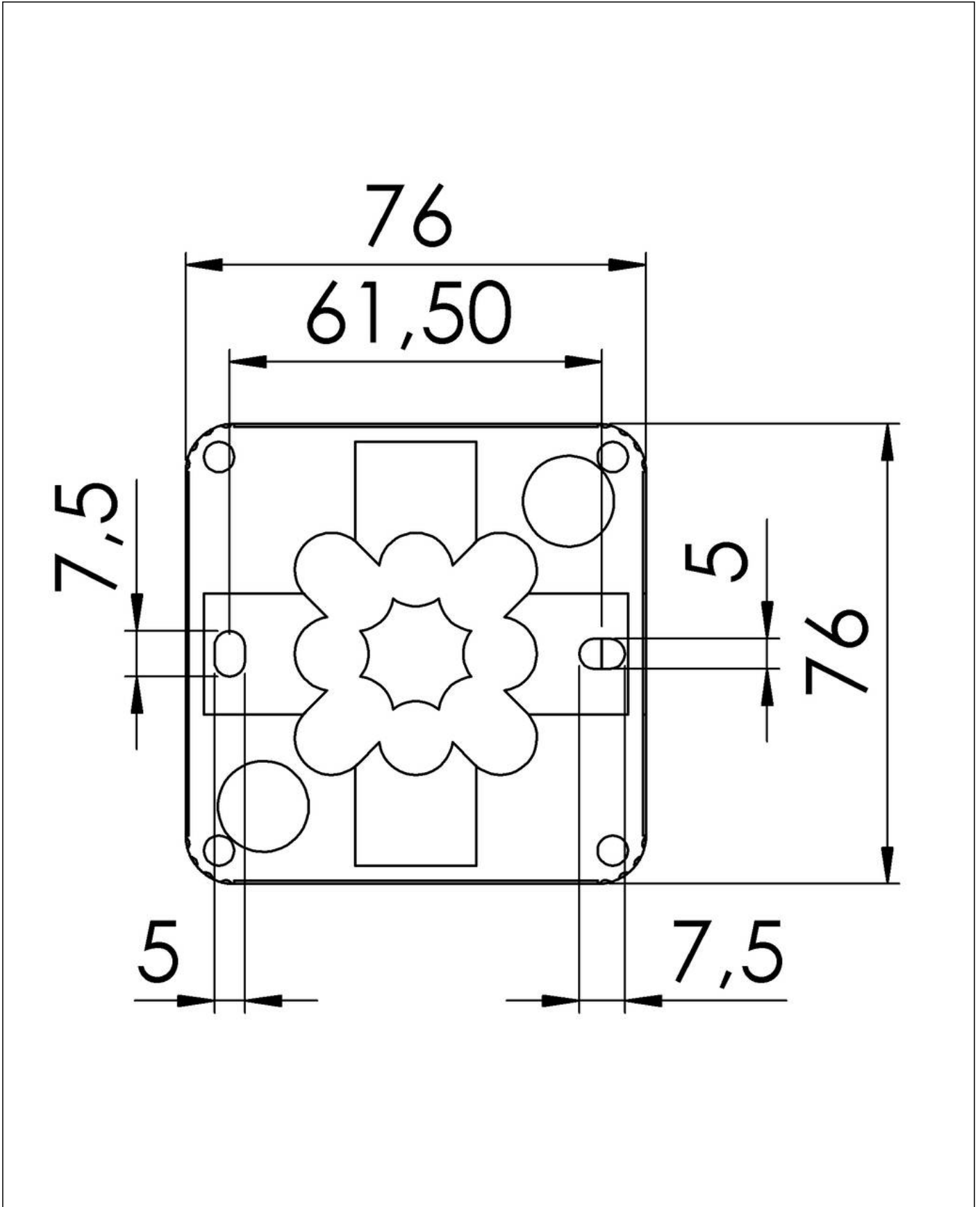
Your Contact:

**WISKA UK Ltd.**

Unit 7, Hurling Way · St. Columb Major Business Park · TR9 6SX, St. Columb Major, Cornwall · Great Britain

☎ +44-12-08816062 · 📠 +44-12-08816708

info@wiska.co.uk · www.wiska.co.uk



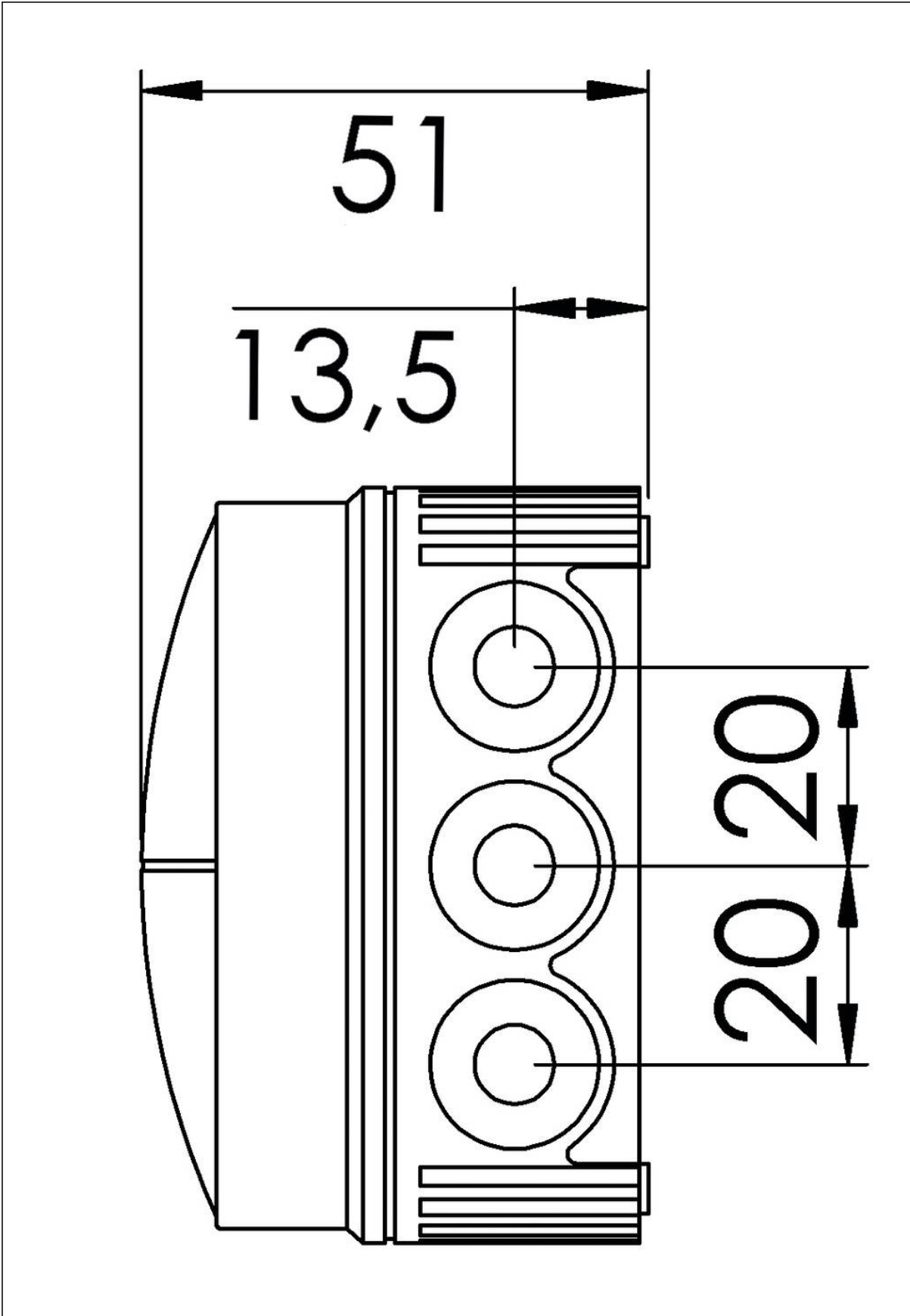
Your Contact:

**WISKA UK Ltd.**

Unit 7, Hurling Way · St. Columb Major Business Park · TR9 6SX, St. Columb Major, Cornwall · Great Britain

☎ +44-12-08816062 · 📠 +44-12-08816708

info@wiska.co.uk · www.wiska.co.uk



Your Contact:

**WISKA UK Ltd.**

Unit 7, Hurling Way · St. Columb Major Business Park · TR9 6SX, St. Columb Major, Cornwall · Great Britain

☎ +44-12-08816062 · 📠 +44-12-08816708

info@wiska.co.uk · www.wiska.co.uk