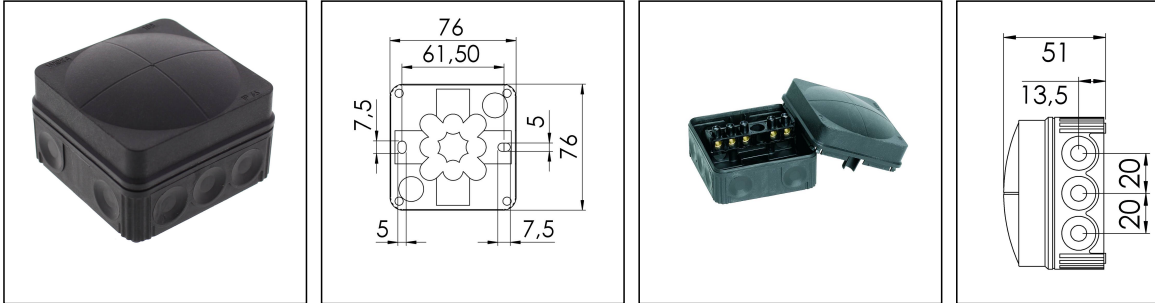



COMBI 108/5 BK

Junction box, polypropylene



Products may differ in size, colour and appearance to those shown. If you require further information or customisation, please contact us directly.



| | |
|-------------------------------------|---|
| Material | Polypropylene |
| Material sealing gasket | TPE |
| Temp. range min | -30 °C |
| Temp. range max | 100 °C |
| Temperatures during install. | -5 °C - 60 °C |
| Protection class | IP66 |
| Glow wire test | 750 °C |
| Voltage | 400 V |
| Rated current / A (Terminal) | 24 A |
| Rated cross section | 2,5 mm ² |
| Terminals/poles | 5-pole, 2,5mm ² |
| Fixing | 2 internal openings |
| Ø cable diameter min | 3 mm |
| Ø cable diameter max | 14 mm |
| External dimensions LxWxH | 76 x 76 x 51mm |
| Using for cable gland |  |
| Product Color | RAL 9005 |
| WISKA-Order no. | 10061998 |
| Type | COMBI 108/5 BK |
| Packing unit | 10 |
| ETIM-Classification | EC002600 |

Remarks:

Equipment:

- 10 elastic self-sealing puncture-membranes for cable entry on the side and 2 in the bottom

Your Contact:

WISKA UK Ltd.

Unit 7, Hurling Way · St. Columb Major Business Park · TR9 6SX, St. Columb Major, Cornwall · Great Britain

☎ +44-12-08816062 · 📠 +44-12-08816708

info@wiska.co.uk · www.wiska.co.uk

- inclusive terminal block 5-poles, 2,5mm²

Fixing:

By two internal openings outside of the sealing area

Recommended accessories

| | |
|--|----------|
| MP-S Mounting plate small | 10105774 |
| MP-L Mounting plate large COMBI / WHK | 10105775 |
| ZER 4-12 | 10109800 |
| ZER 11-18 | 10110766 |

Spare parts

| | |
|-----------------------------------|----------|
| SP-HKT 11/5 Terminal block | 22001132 |
|-----------------------------------|----------|

09.08.2021

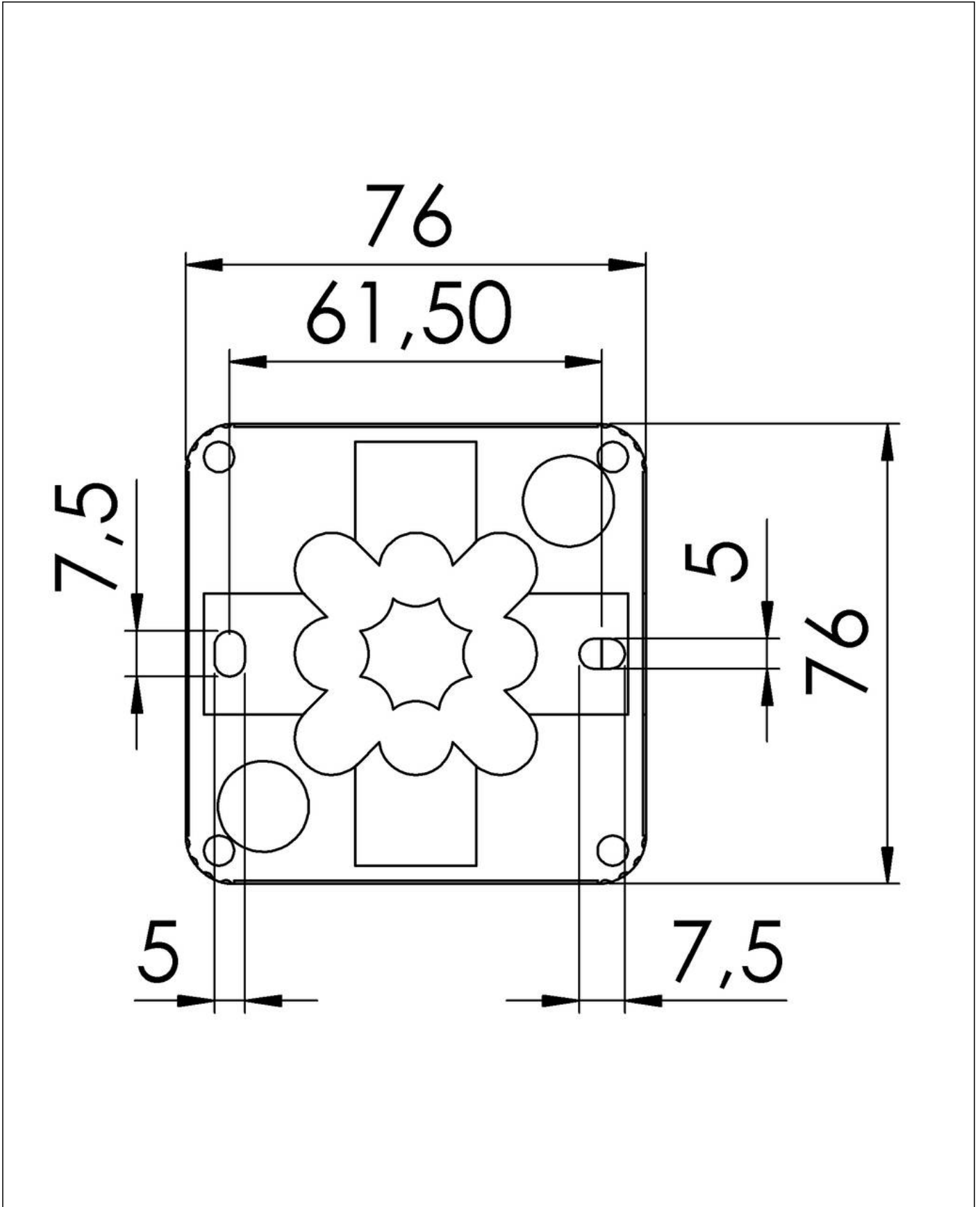
Your Contact:

WISKA UK Ltd.

Unit 7, Hurling Way · St. Columb Major Business Park · TR9 6SX, St. Columb Major, Cornwall · Great Britain

☎ +44-12-08816062 · 📠 +44-12-08816708

info@wiska.co.uk · www.wiska.co.uk



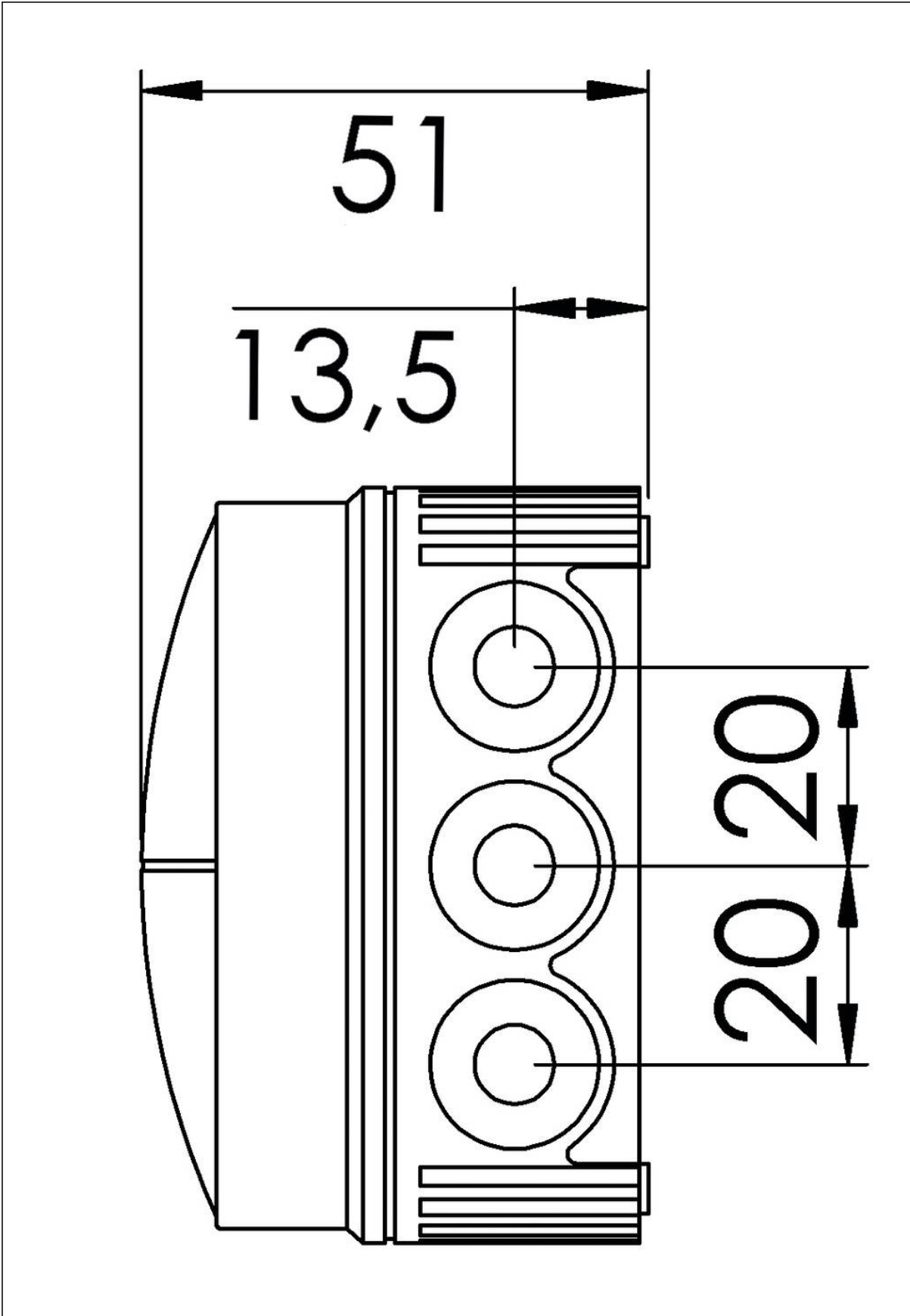
Your Contact:

WISKA UK Ltd.

Unit 7, Hurling Way · St. Columb Major Business Park · TR9 6SX, St. Columb Major, Cornwall · Great Britain

☎ +44-12-08816062 · 📠 +44-12-08816708

info@wiska.co.uk · www.wiska.co.uk



Your Contact:

WISKA UK Ltd.

Unit 7, Hurling Way · St. Columb Major Business Park · TR9 6SX, St. Columb Major, Cornwall · Great Britain

☎ +44-12-08816062 · 📠 +44-12-08816708

info@wiska.co.uk · www.wiska.co.uk