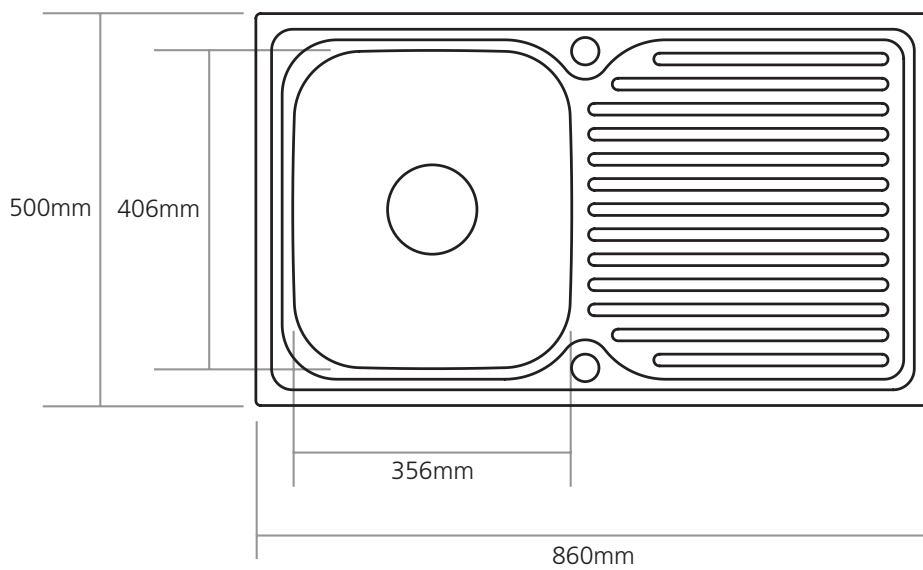


Product installation diagrams

Models:
DO100



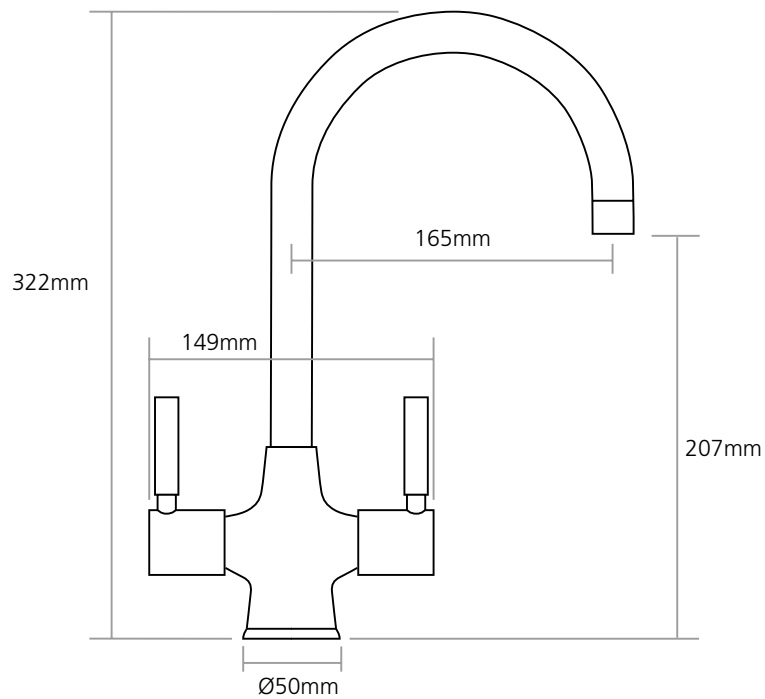
Bowl Depth 180mm

Min. base unit 450mm

Cut out size 838 x 480mm

Product installation diagrams

Models:
WAS3_WAS4



Worktop cut-out 35mm required
