

Heating Hot water Renewables

ecoTEC plus

Open vent boiler 12, 15, 18, 24, 30 and 35kW



10
Year
Guarantee

Key features and benefits

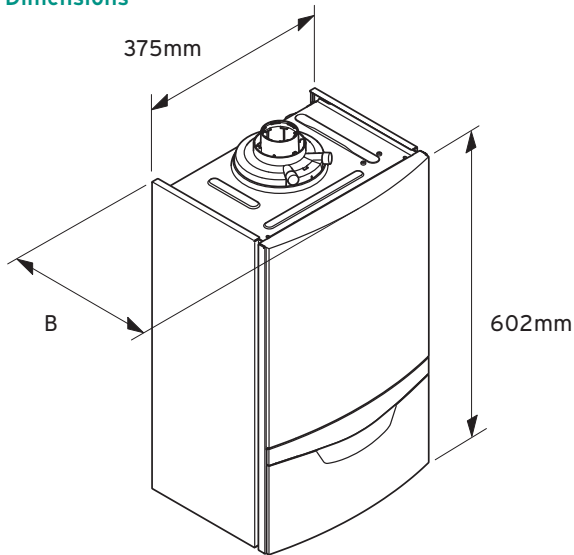
- 10 year guarantee available when registered on Vaillant Advance and installed with our Boiler Protection Kit
- Wide modulation of up to 1:5 - adapts perfectly to all systems in every situation
- Boiler Plus compliant with time and temperature controls - Install with VRT 15, timeSWITCH 160 and VR 66 wiring centre for the easiest way to meet Boiler Plus
- High-specification aluminium heat exchanger designed for longer life, easier maintenance and reduced energy bills
- Easy installation and maintenance - accessible layout allows all components to be replaced from the boiler front
- Electronic gas and air modulation system allows precise self-setting gas combustion to improve performance and lower emissions



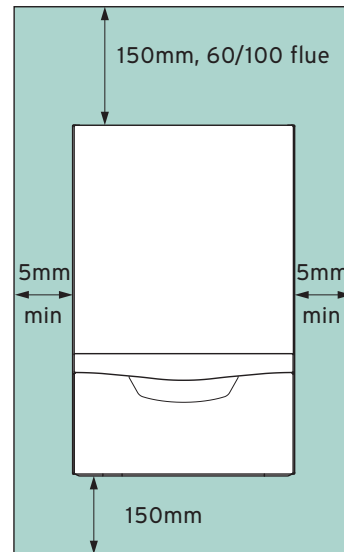
 **Vaillant**

Comfort for your home

Dimensions



Clearances



Model	Dimension B
ecoTEC plus 412, 415, 418, 424, 424 LPG, 430, 435	316

Minimum clearances	Unit	ecoTEC plus 412, 415, 418, 424, 424 LPG, 430 and 435
Side left and right	mm	5
Top	mm	150
Top (if using rear flue)	mm	20*
Below	mm	150
Front	mm	600

NOTE: all measurements are in mm

* 75mm for servicing if boiler installed below fixed surface (ceiling)

Technical data	Unit of measure	ecoTEC plus 412	ecoTEC plus 415	ecoTEC plus 418	ecoTEC plus 424	ecoTEC plus 424 LPG	ecoTEC plus 430	ecoTEC plus 435	
General									
Article number		0010021220	0010021221	0010021222	0010021223	0020231355	0010021224	0010015674	
Boiler dimensions (HxWxD)	mm	602 x 375 x 316							
Heating									
Nominal heat output range at 50/30 °C (Condensing mode)	kW	4.7 - 12.8	4.7 - 15.9	5.2 - 19.1	6.3 - 25.7	8.0 - 25.7	7.5 - 31.8	7.5 - 37.1	
Nominal heat output range at 80/60 °C (Non condensing mode)	kW	4.5 - 12.3	4.5 - 15.2	5.0 - 18.3	6.1 - 24.6	7.6 - 24.3	7.2 - 30.5	7.1 - 35.1	
Maximum flow temperature	°C	80							
Flow temperature range	°C	10 - 80							
Flow temperature factory setting	°C	75							
Approximate condensate volume at 50/30 °C	litres/hr	1.23	1.53	1.84	2.47		3.06	3.57	
Mechanical									
Boiler lift weight (Dry boiler)	kg	23.5				23.8			
Maximum horizontal flue length 60/100	m	10				0.7	10		
Performance									
NOx (En 15502-2-1)	mg/kWh	32	33	39	39	35	40	29	
ErP efficiency (Heating / DHW)	A, A/A, A+	A / -							
ErP efficiency	%	94							
ErP decibel rating (sound power)	dBa	45	48	51	52	49	55	53	